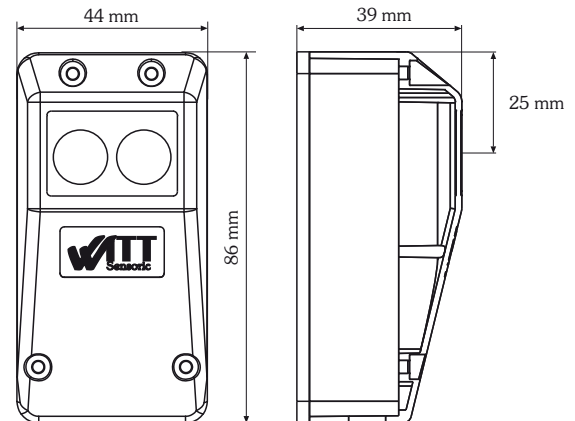


bilix20 2-wire photo-switch

temporary data sheet: 2-wire photo-switch, Thomas Depping, Matthias Voigt, dated 06/08

bilix20

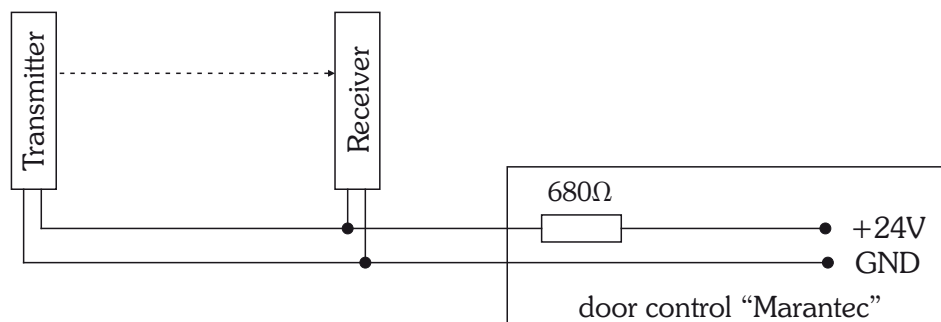
- for the door control „Marantec”
- range 1,5...7m
- high degree of protection, IP67
- operating voltage 24VDC with 680Ω
- protected against power supply polarity reversal
- soiling indication
- conforms with ambient light and sensitivity test according to UL325 (pendulum)



Technical data

Door control	Marantec	Display (receiver)	yellow LED illuminated = receiver operational
Range	1,5...7m	Display (transmitter)	red LED illuminated = interruption yellow LED illuminated = good conditions yellow LED flashes = bad conditions (soiling indication)
Operating voltage	20...28V, any polarity	Type of connection	screw terminal, max. 1,5mm ² (rigid) eg. 1,0mm ² (wire)
Current consumption	max. 12mA bei 24V	Degree of protection	IP67 according to EN60529
Load resistance	680Ω ±5%, (in control)	Operating temperature	-25°...60°C
Operational	=350ms after switch on	Weight	approx. 60g
Low-level	<3V	Size	84x44x39mm ³ (LxWxH)
High-level	>15V 24V supply		
Type of light	infrared, modulated, 38kHz		
Light transmitter	ca. 15° angle		
Light receiver	ca. 24° angle, incl. daylight blocking filter		
Pulse length	500μs ±80μs		
Periodic time	6,0ms ±0,6ms		

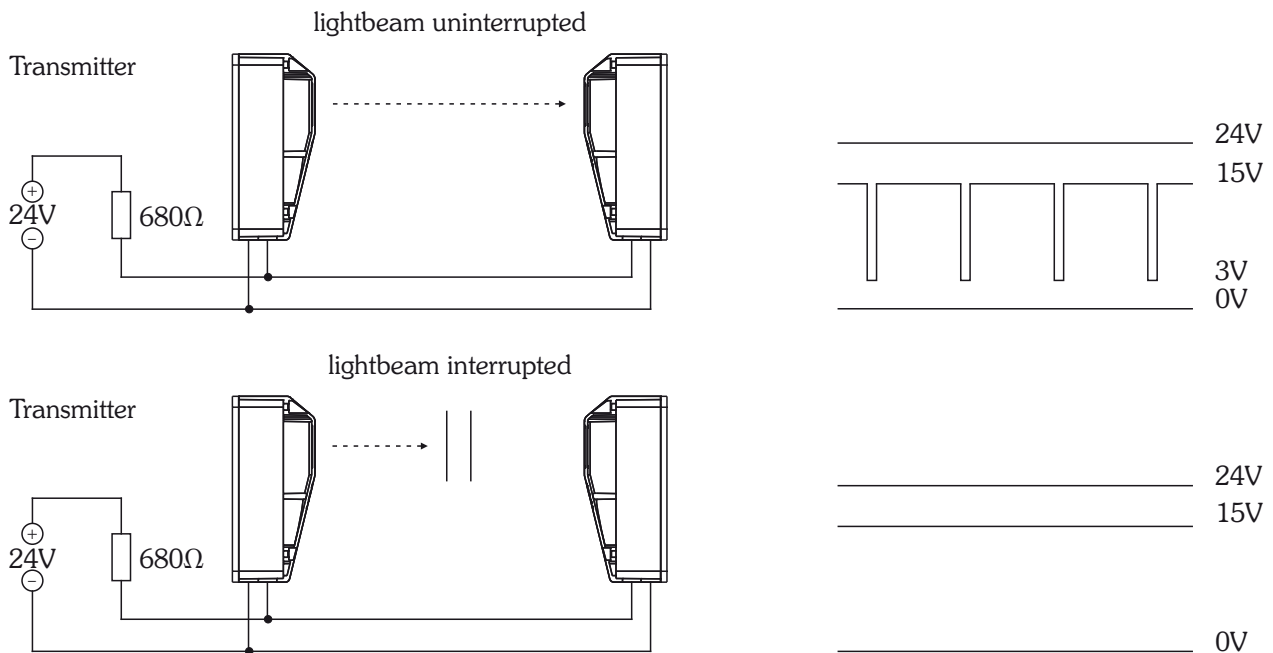
Terminal assignments



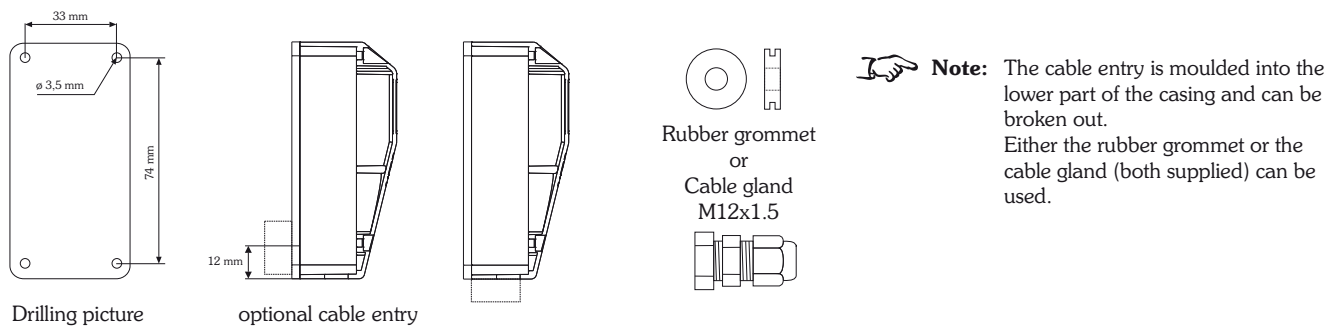
Ordering details

Model		item number
bilix20 S	Transmitter	1.114 380
bilix20 E	Receiver	1.114 385
Included in the scope of supply:	2 cable glands M12x1.5 and 2 pass-through grommets	

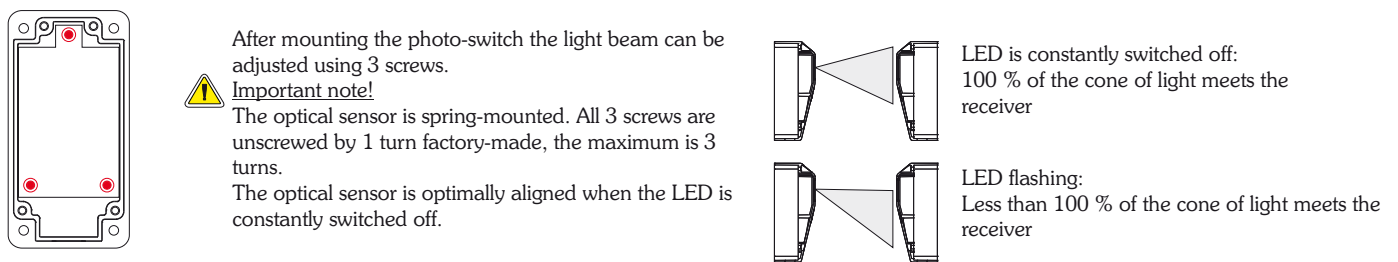
Signal demonstration



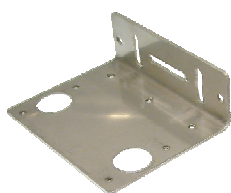
Drilling picture / optional cable entry



Fine adjustment (only the optical sensor of the transmitter is spring-mounted)



Accessories



HW-LS20 mounting bracket

Material: bright 1.5 1.4301 (V2A)

Ordering details

HW-LS20 1.113 870

Declaration of conformity

EMC directive 2004/108/EEC
EN 61000-6-2 and EN 61000-6-4

