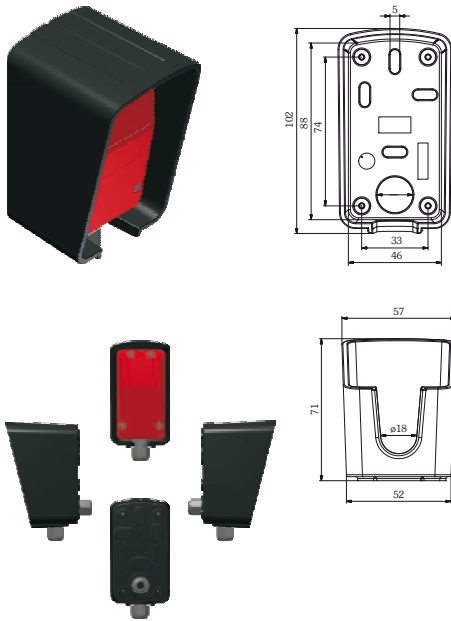


WSH20 rain cover



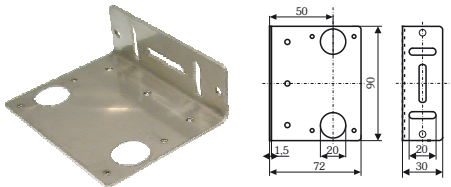
for the EL25 through-beam photo switch,
 protection against rain, hail and snow,
 impact resistant, UV-stabel
 material: PA6 GF15

ordering details

WSH20 1.114 710

This rain cover is identical with the rain cover of the reflective photo-electric switch RP20 or RP25 due to the same case.

HW-LS20 mounting bracket



for the EL25 trough-beam photo switch
 material: BL 1,5 1.4301 (V2A)

ordering details

HW-LS20 1.113 870

This mounting bracket is identical with the mounting bracket of the reflective photo-electric switch RP20 or RP25 due to the same case.