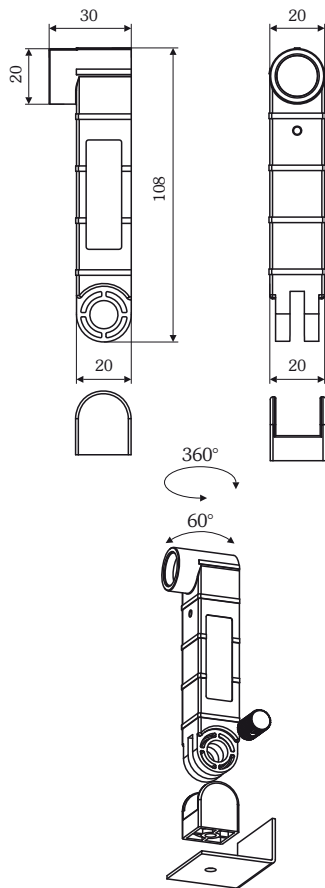
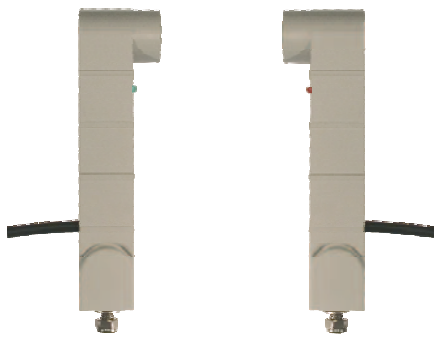


TwinSafe pull-in protection



Transmitter	10...30VDC	— brown
	0V GND	— blue
	Test input	— black
Receiver	10...30VDC	— brown
	0V / GND	— blue
	max. 0,5A	grey
	48VDC	yellow
		pink

Declaration of conformity

EMC directive 2004/108/EEC
 EN 61000-6-2 and EN 61000-6-4
 Safety devices for power operated
 doors and gates
 EN 12978



TwinSafe

- technology which complies with standards *
- large range 1...20m
- slim design
- easy to adjust
- front indicator LED
- high degree of protection IP67

* complies with standards:
 DIN IEC 61496-2, DIN EN 954-1 (Kategorie 2),
 EN 12978:2003, EN 12453:2000, EN 12445:2000

Technical data

Range	1...20m
Operating voltage(U_B)	10...30VDC
Current consumption	Transmitter: 35mA Receiver: 35mA
Type of light	IR, modulated
Aperture	approx. 2° total angle
Test input	U_B = Transmitter off
Test response times	U_B at test input: typ. 20ms until relay drops out Test input uninterrupted: typ. 100ms until relay picks up U_B switched off: typ. 20ms until relay drops out U_B switched on: typ. 100ms until relay picks up
Transmitter	
Speed of response	max. 20ms delay between light beam interruption and output response
Switch on delay	typ. 100ms
Output	Relay, potential-free changeover contact
Switch rating	min. 1mA/min. 5VDC, max. 0.6A/50VAC max. 0.6A/50VDC
Type of switching	Responsive to brightness, relay picks up when light beam is uninterrupted
LED indications	
Transmitter:	Green LED on when U_B on, flashes during test,
Receiver:	Green/red dual LED, green when U_B and light beam uninterrupted (relay picks up), red when light beam interrupted (relay drops out)
Adjustment range	axial: 360°, vertical: $\pm 30^\circ$
Casing material	PA6 with 30% glass fibre
Optical termination	Lexan, infrared transparent
Type of connection	Hardwired, PVC, casing black, \varnothing approx. 4.3mm Transmitter 3x0.25mm ² Receiver 5x0.25mm ² Standard length of respectively 13m
Degree of Protection	IP67 according to EN60529, fully encapsulated
Operating temperature	-25°...+55°C

Ordering details

Model	Order number
TwinSafe/Transmitter	1.114 010
TwinSafe/Receiver	1.114 015