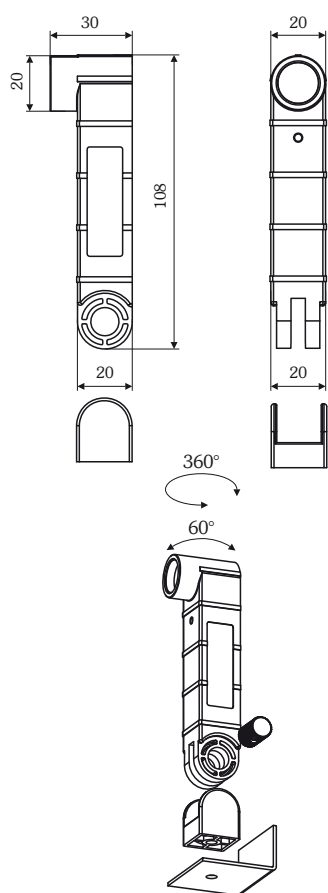
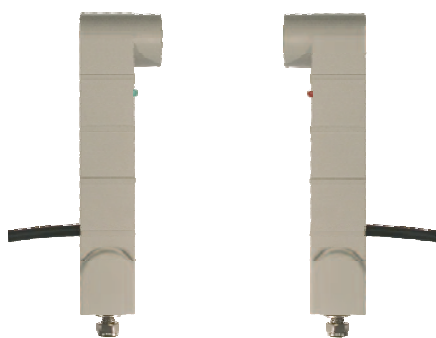


# TwinPro pull-in protection



Transmitter	12VDC	— brown
	0V / GND	— white
	dynamic signal	— green
Receiver	12VDC	— brown
	0V / GND	— white
	dynamic signal	— green

## Declaration of conformity

EMC directive 2004/108/EEC  
 EN 61000-6-2 and EN 61000-6-4  
 Safety devices for power operated  
 doors and gates  
 EN 12978



## TwinPro

- technology which complies with standards \*
- large range 1...20m
- slim design
- easy to adjust
- front indicator LED
- high degree of protection IP67

\* complies with standards:  
 DIN IEC 61496-2, DIN EN 954-1 (Kategorie 3),  
 EN 12978:2003, EN 12453:2000, EN 12445:2000

## Technical data

Range	1...20m
Operating voltage ( $U_B$ )	12VDC $\pm$ 10%
Current consumption	Transmitter: max. 20mA Receiver: max. 20mA
Type of light	IR, modulated
Aperture	approx. 2° total angle
Output	transistor-output, max. load 10mA, short-circuit-protected
Levels	low level 0...1V high level 3...5V
Signal frequency	typically 900 Hz (0.5kHz...2kHz)
LED indications	
Receiver:	Green LED
Transmitter:	Green/red dual LED, green if $U_B$ and light beam uninterrupted, red when light beam interrupted
Adjustment range	axial: 360°, vertical: $\pm$ 30°
Casing material	PA6 with 30% glass fibre
Optical termination	Lexan, infrared transparent
Type of connection	Hard wired, PUR, casing black, $\varnothing$ approx. 3.3mm Transmitter 3x0.14mm <sup>2</sup> Receiver 3x0.14mm <sup>2</sup> Standard length of respectively 13m
Degree of Protection	IP67 according to EN60529, fully encapsulated
Operating temperature	-25° ... +55°C

## Ordering details

Model	Order number
TwinPro/Transmitter	1.114 020
TwinPro/Receiver	1.114 025